

## Current Clamp SDQ50

Current Clamp is a high-precision AC current converter, and can meet a variety of measuring instruments. It can be used along with many kinds of instruments and devices, such as energy meter spot calibrator, multifunctional meter, oscilloscope, digital multimeter, dual clamp Ground resistance tester, dual clamp phase volt ammeter. Parameters will be measured and compared without power supply cut-off on account of the split core. After decades of years development, our clamp have been approved to be most reliable and excellent performance.

### 1. Features

Independent jaw, clamping more tightly

fine grinding at the side of jaw, ensure the good performance after long-time and frequent clamping.

Plug and socket at the end of cable can be matched on request.

### 2. Specification

Model No.	Rated Current	Output Current	Turns Ratio	Accuracy	Load	Cable Length
SDQ50	10A~1000A	100mA/200mA /500mA /1A/5A or on request	1:50 1:100 1:200 on request	0.2Class 0.5Class 1.0Class	< 4Ω  1A/5A: 2.5VA, 5VA	250cm, or on request
SDQ50B	10A~1000A	100mA/200mA /500mA/1A/5A or on request	1:500 1:1000 on request	0.1Class 0.2Class 0.5Class	10VA 15VA	

### 3. Technical Characteristics:

ABS Casing: -30℃~+60℃

PC Casing: -40℃~+100℃

Relative Humidity: ≤ 80%

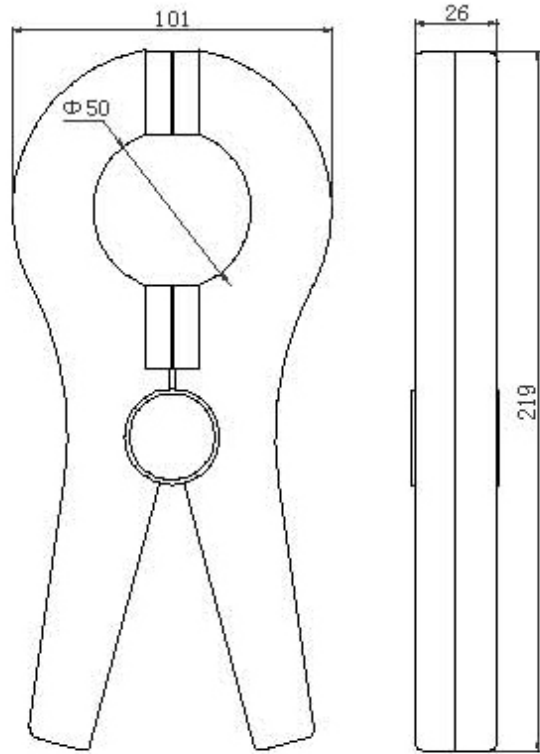
Insulation Voltage(Hi-pot Test): 4kV/1min

BIL: 10kV/10times

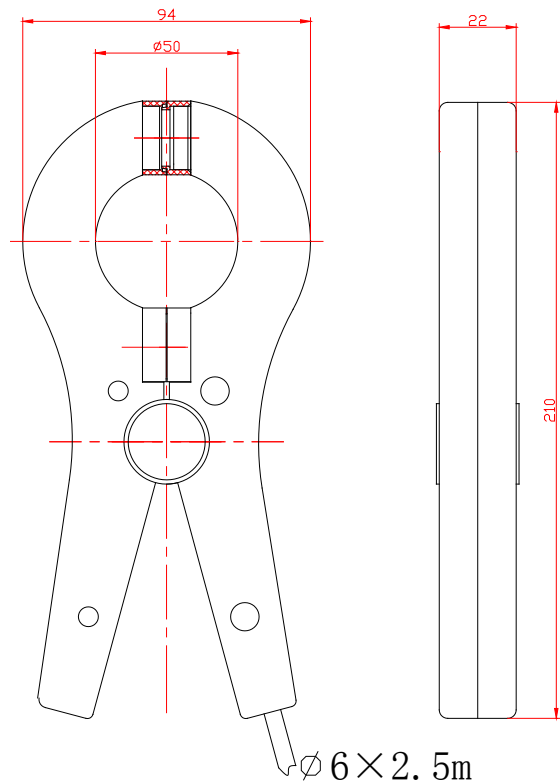
Insulation Resistance: > 500MΩ min/DC500V

Net Weight: 0.6kg

4. Dimensions



SDQ50



SDQ50B